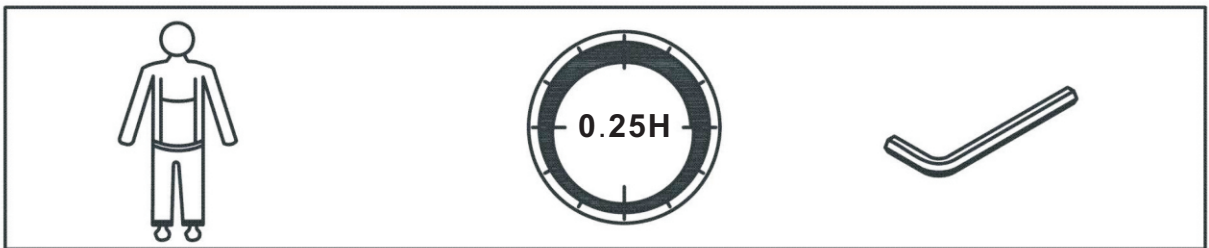
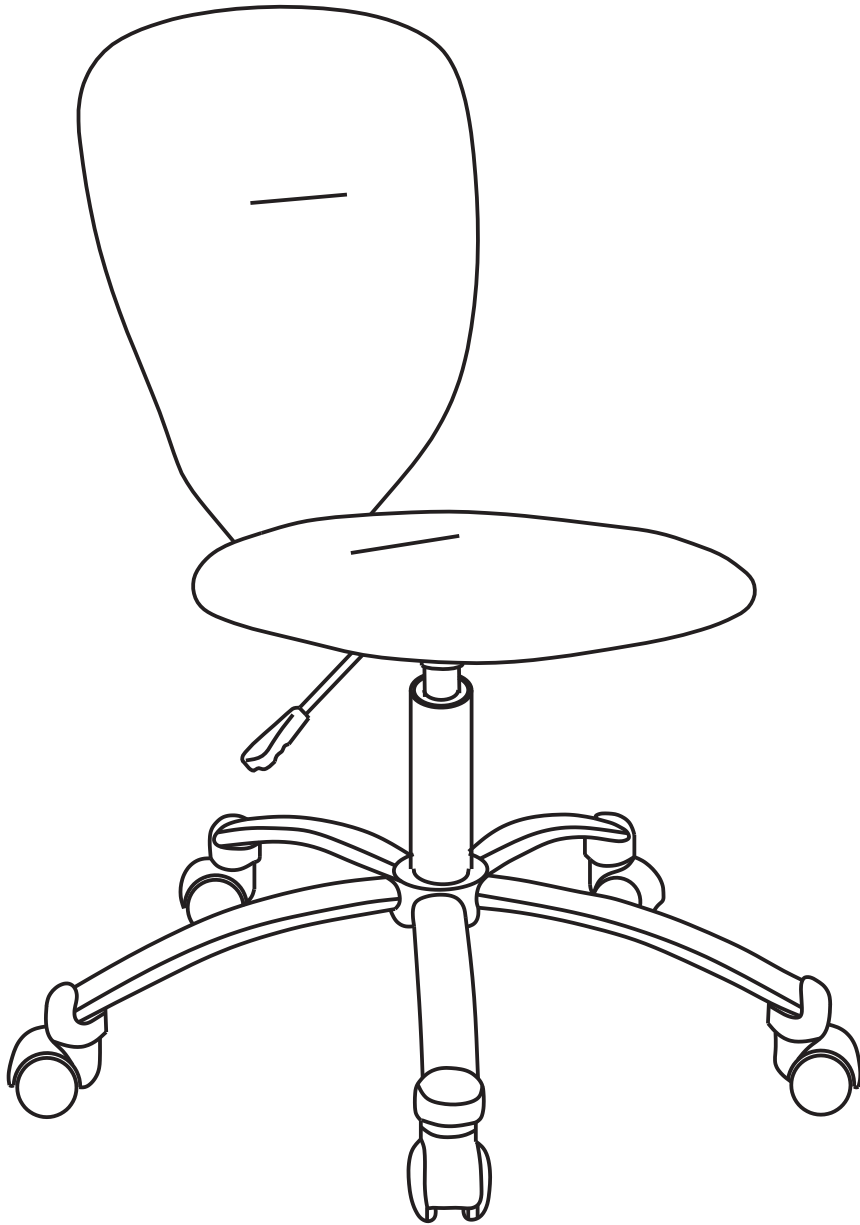


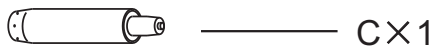
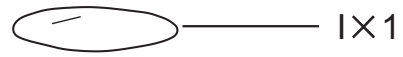
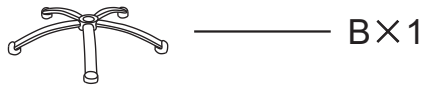
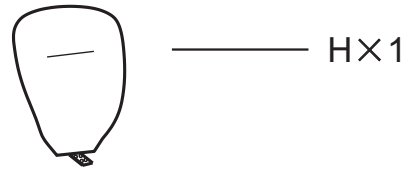
# SCOTTY

---



# SCOTTY

---



M6\*20mmL

DX4



M6\*25mm

EX4



$\Phi 18^* \Phi 6^* 1.5\text{mmT}$

FX8

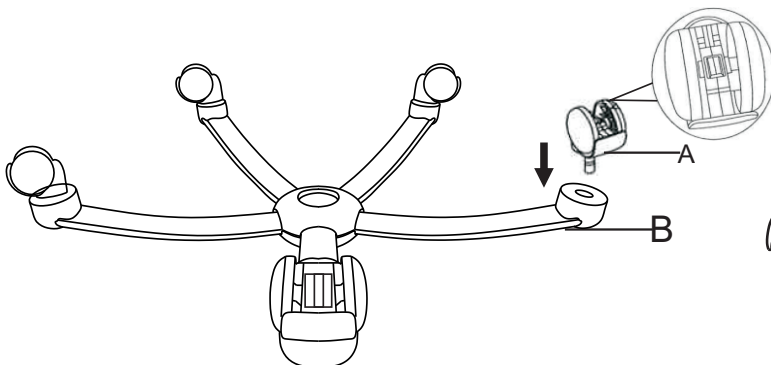


5mm

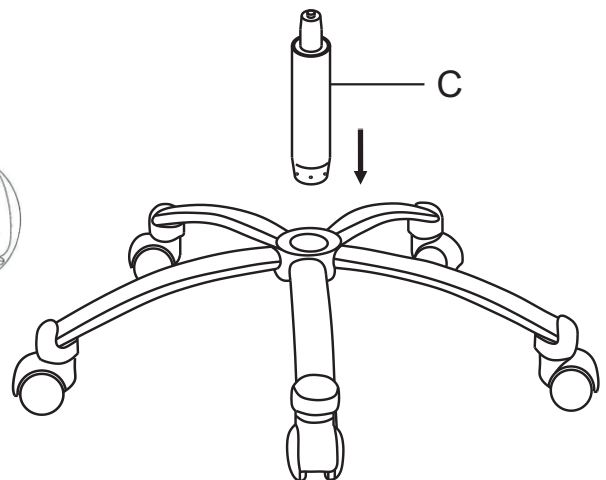
GX1

---

1



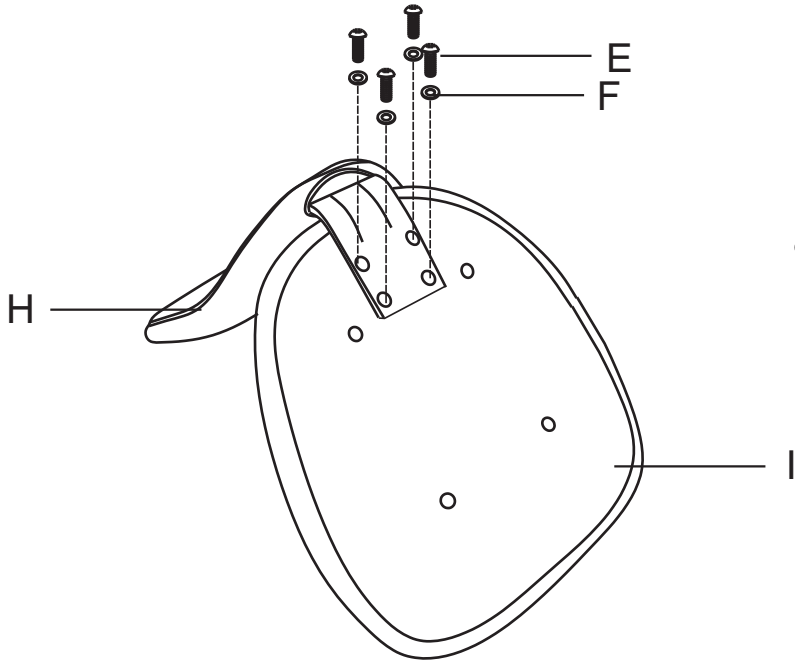
2



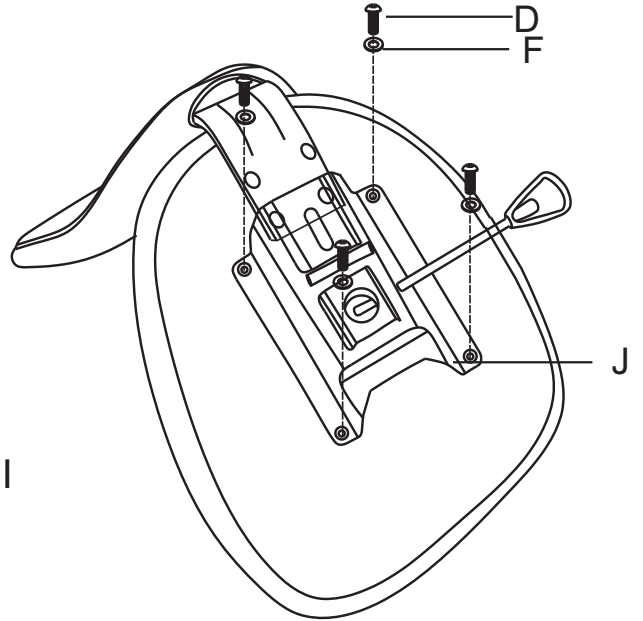
# SCOTTY

---

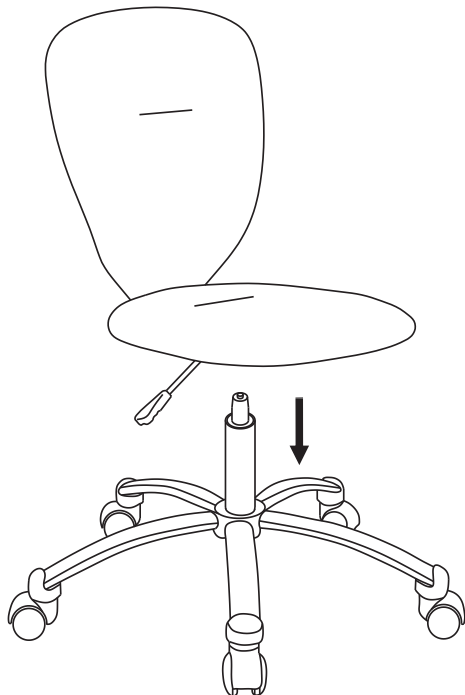
3



4



5



6

