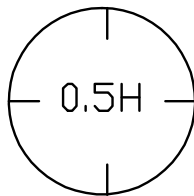
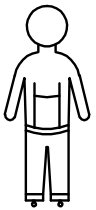
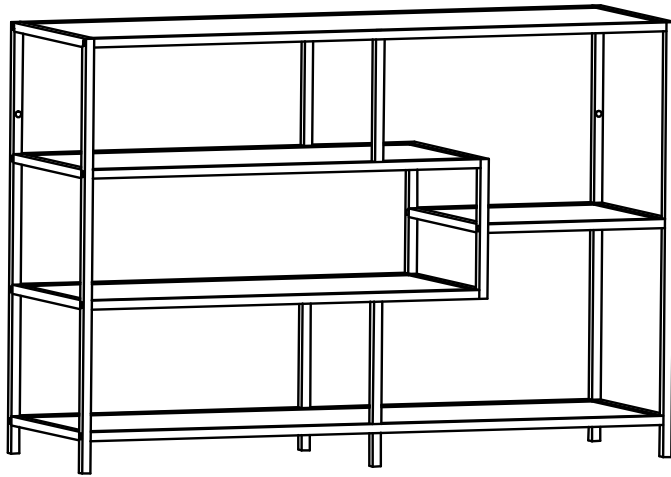
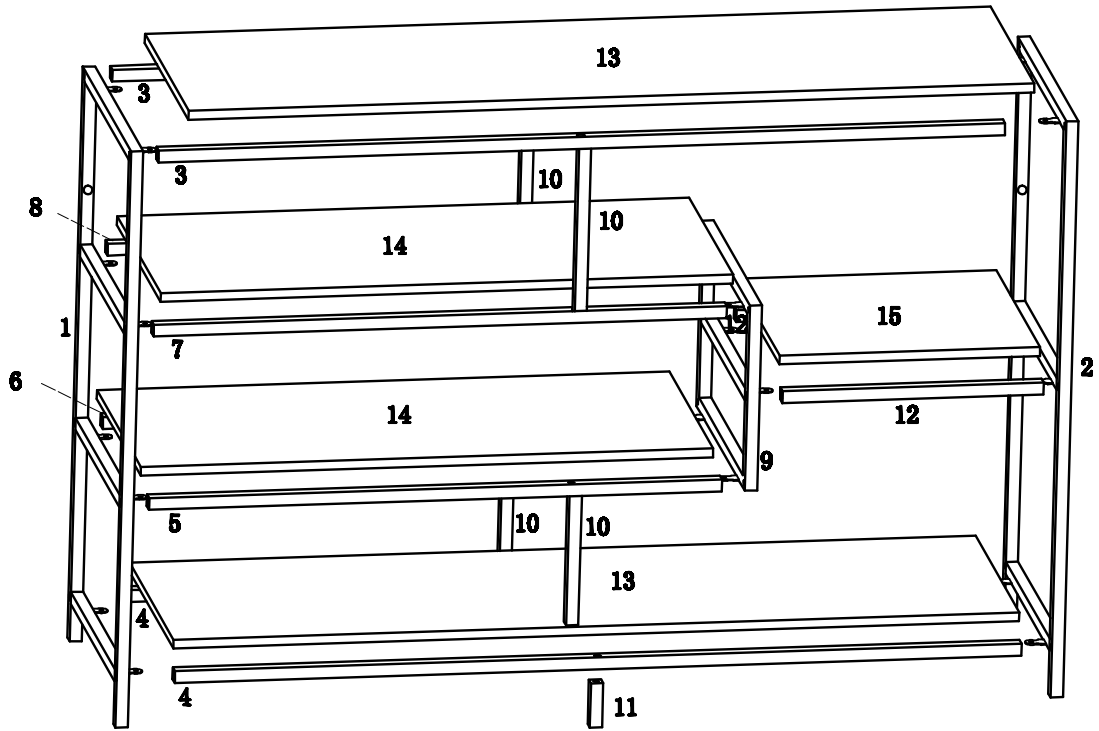



















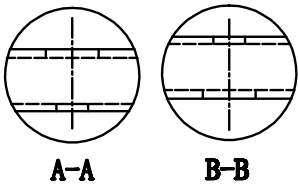
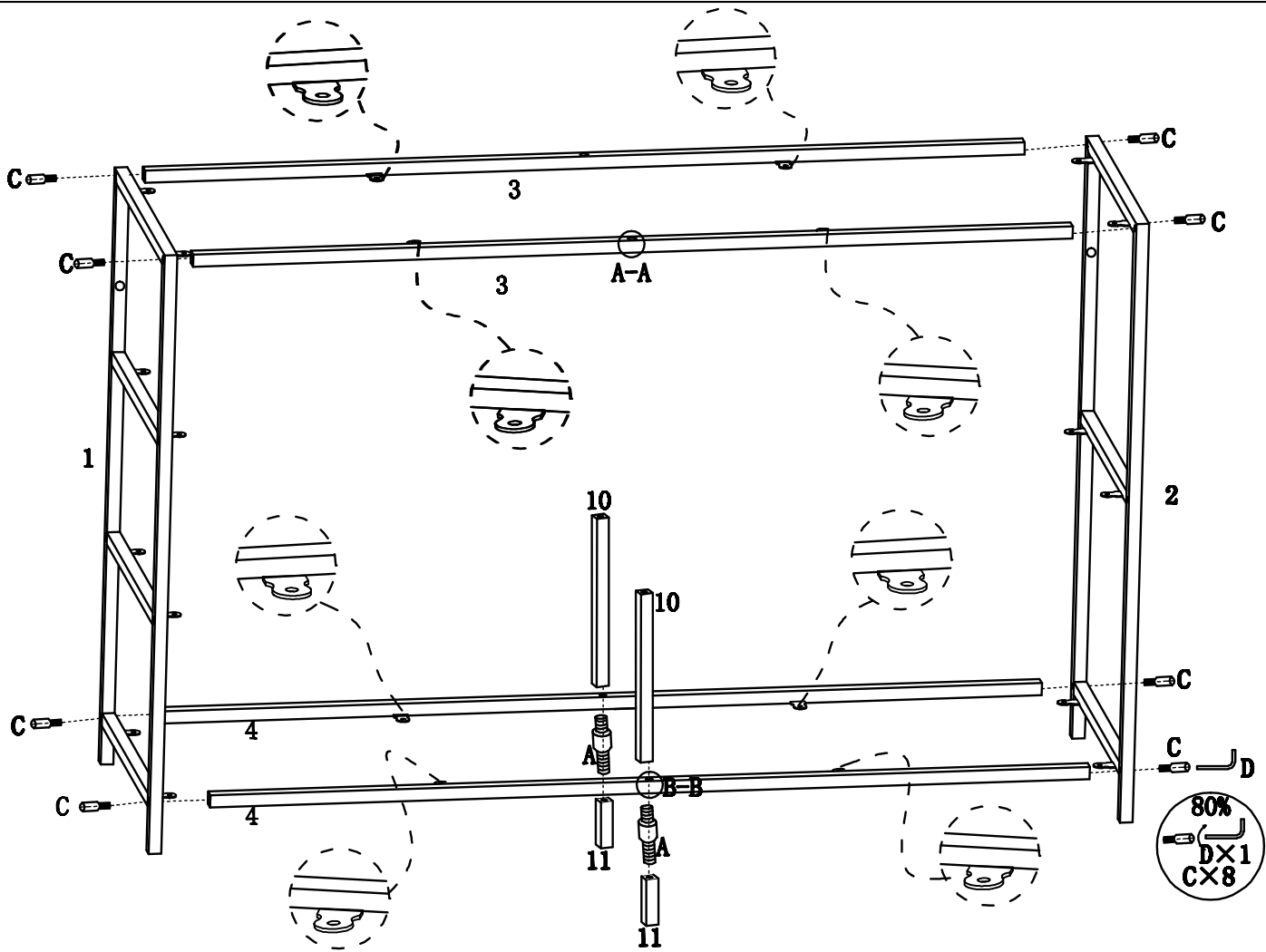




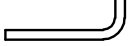
Seaford

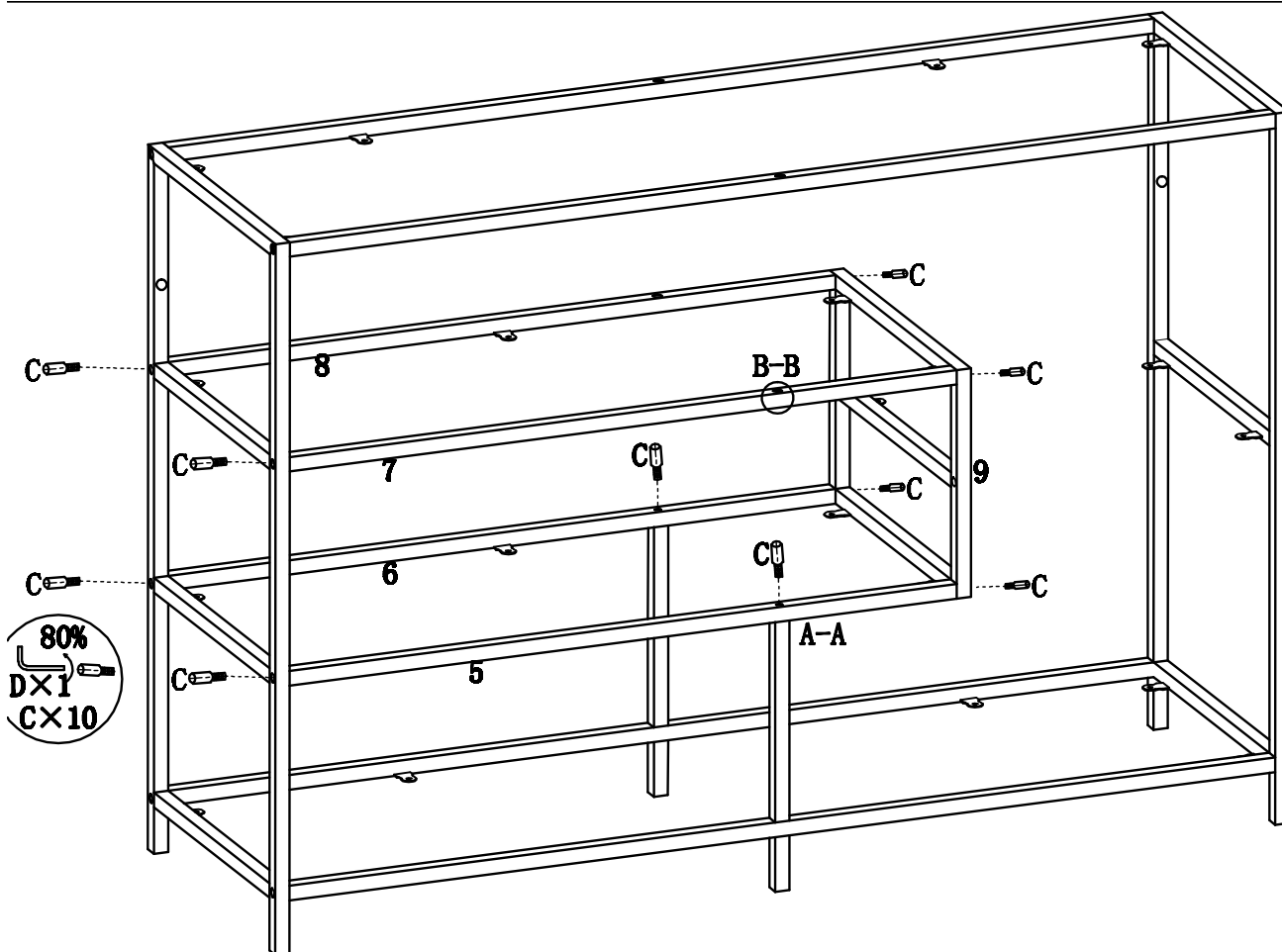




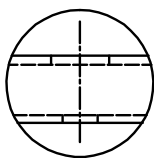
1  1PC	2  1PC	3  2PCS	4  2PCS	5  1PC
6  1PC	7  1PC	8  1PC	9  1PC	10  4PCS
11  2PCS	12  2PCS	13  2PCS	14  2PCS	15  1PC
A M6×45mm  2PCS	B M4×10mm  32PCS	C M6×15mm  26PCS	D 4mm  1PC	



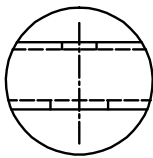
<p>A</p> <p>M6×45mm</p>  <p>2PCS</p>	<p>C</p> <p>M6×15mm</p>  <p>8PCS</p>	<p>D</p> <p>4mm</p>  <p>1PC</p>
--	---	---





80%
D×1
C×10



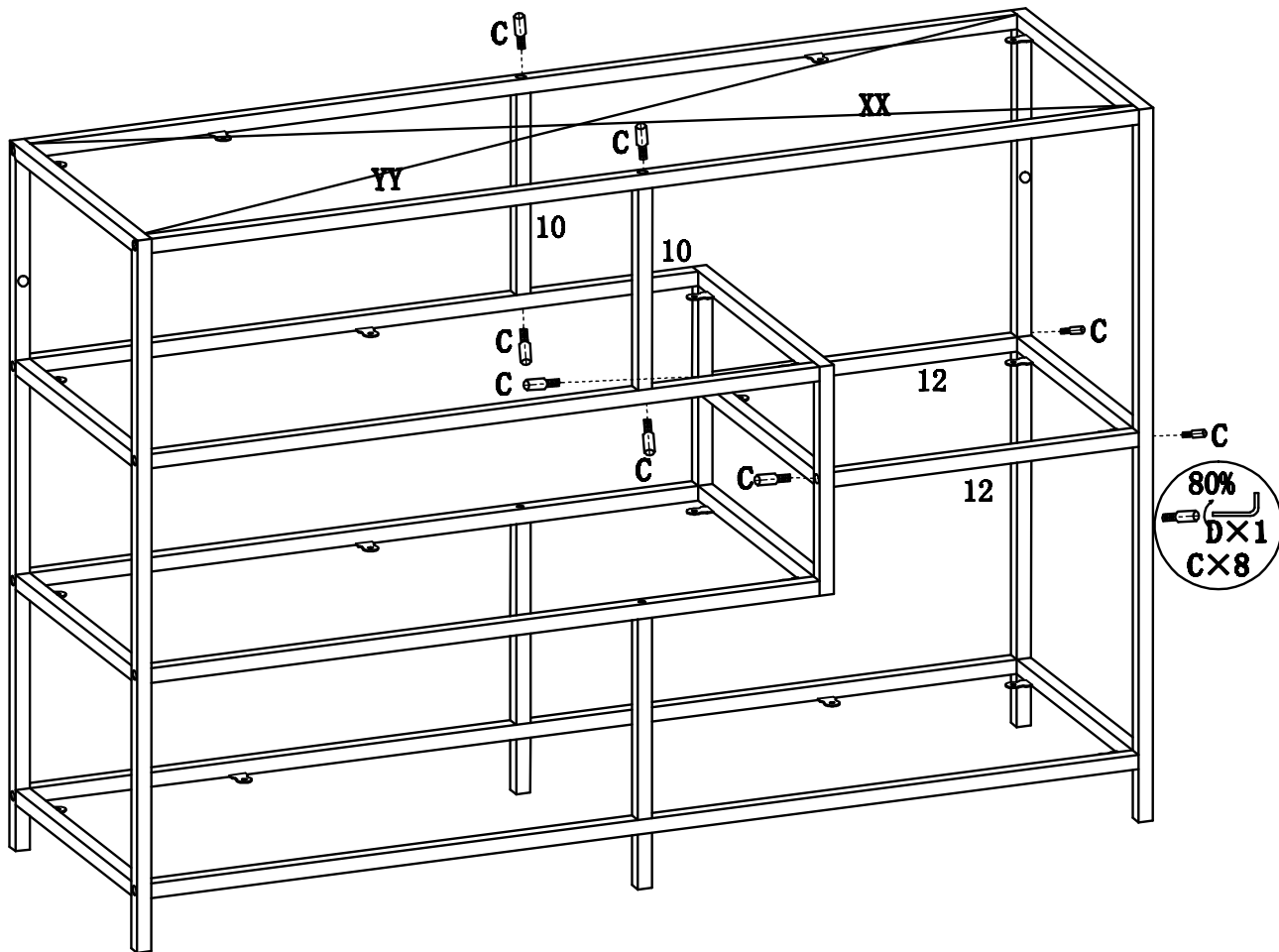
A-A

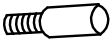



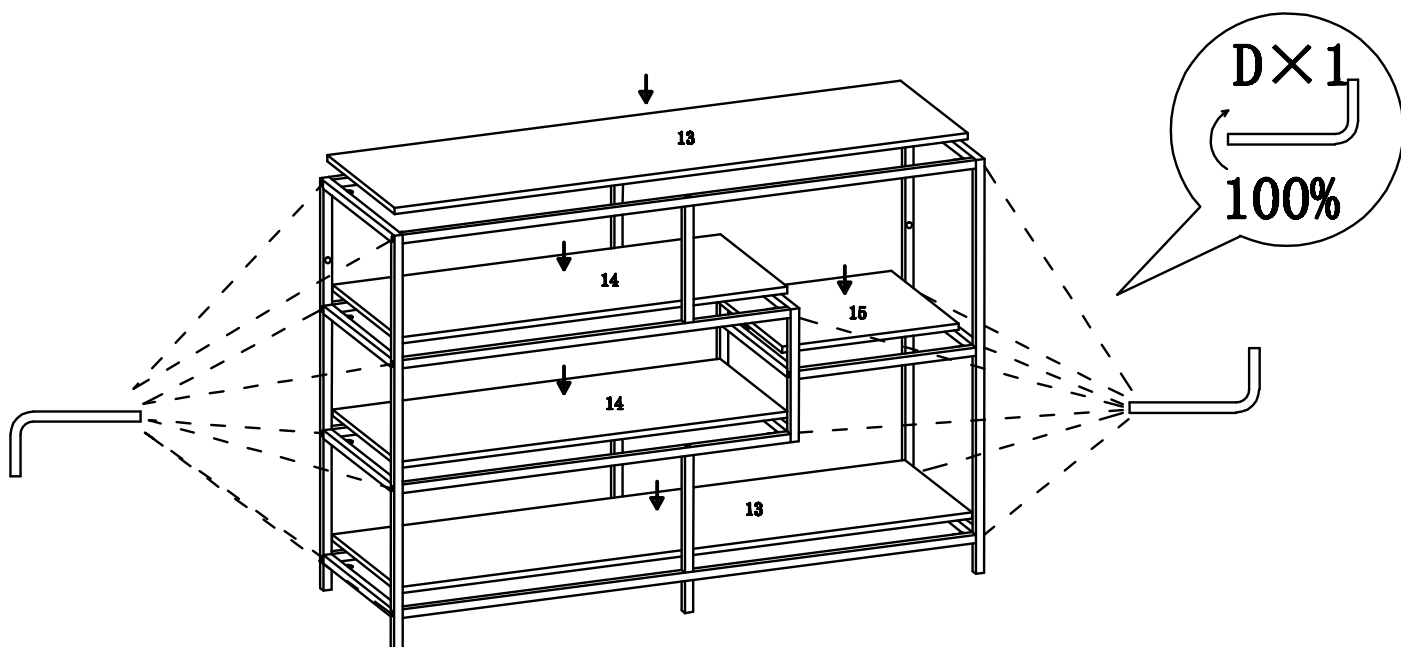
B-B

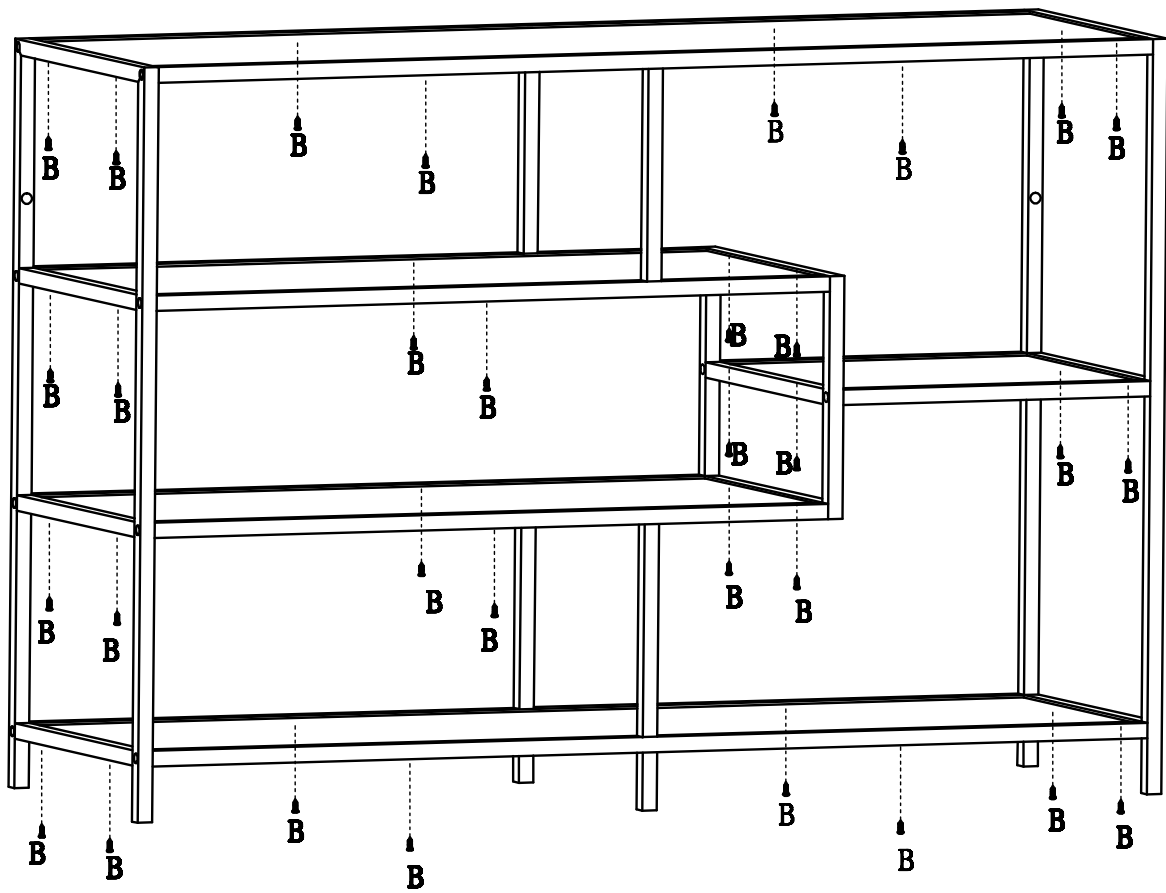
<p>C</p> <p>M6 × 15mm</p>  <p>10PCS</p>	<p>D</p> <p>4mm</p>  <p>1PC</p>
--	---


⚠ XX=YY



C M6 × 15mm  8PCS	D 4mm  1PC
---	---





B
M4 × 10mm

32PCS

