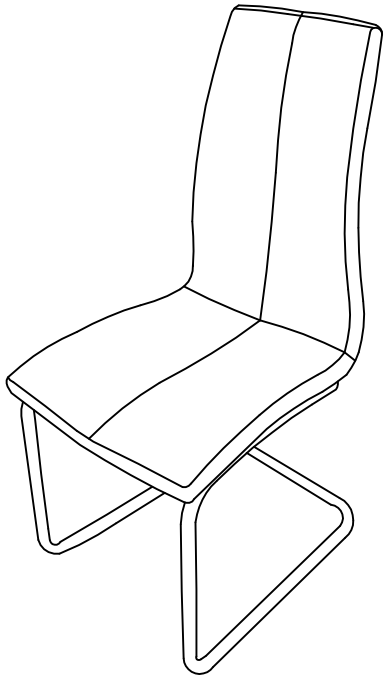
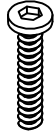
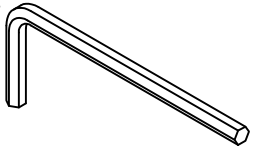



369611 / 369612

Kitty



<b>A</b>  X4	<b>B</b>  X1
<b>C</b>  X4	

