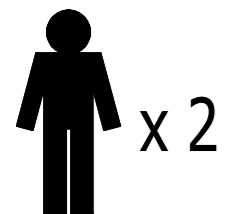
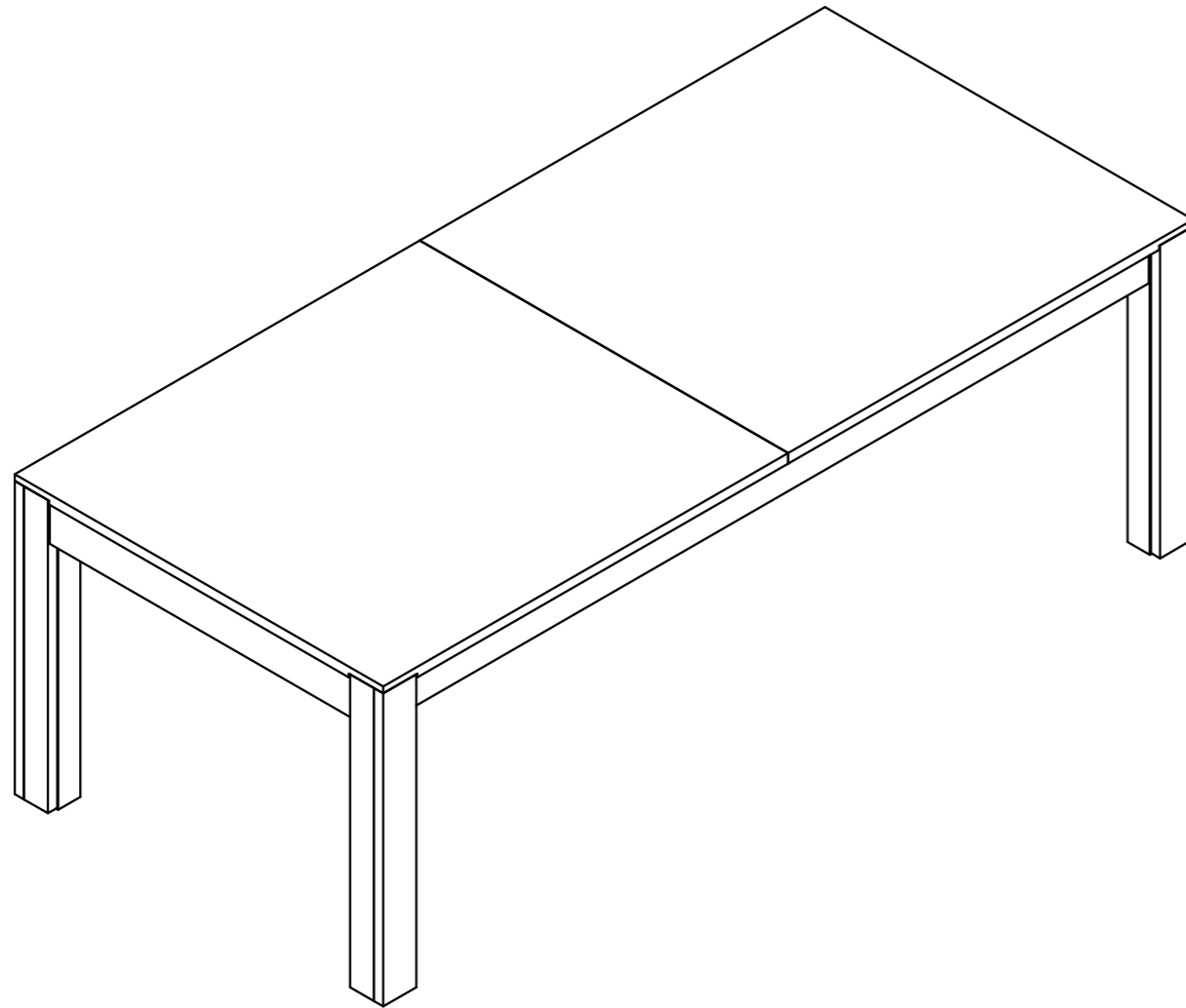
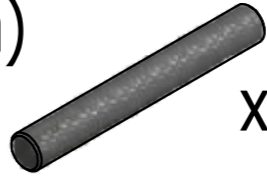
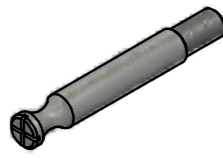




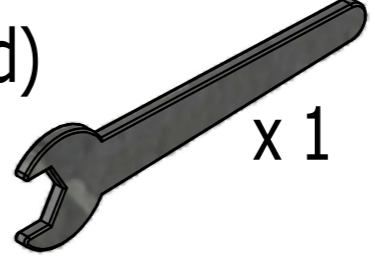
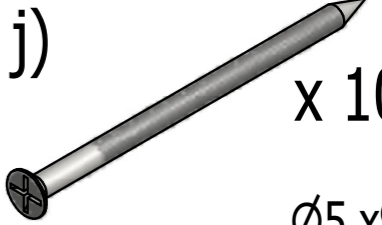


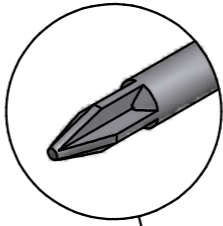
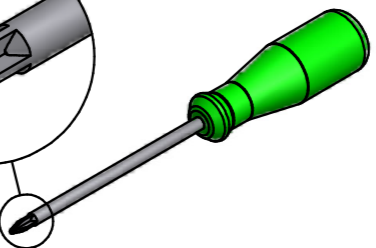
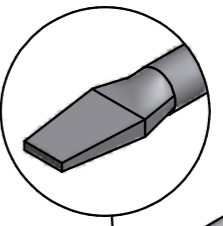
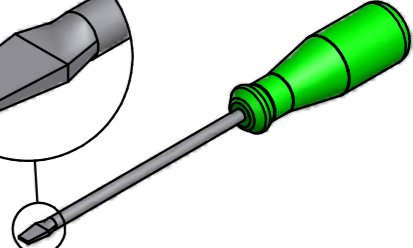
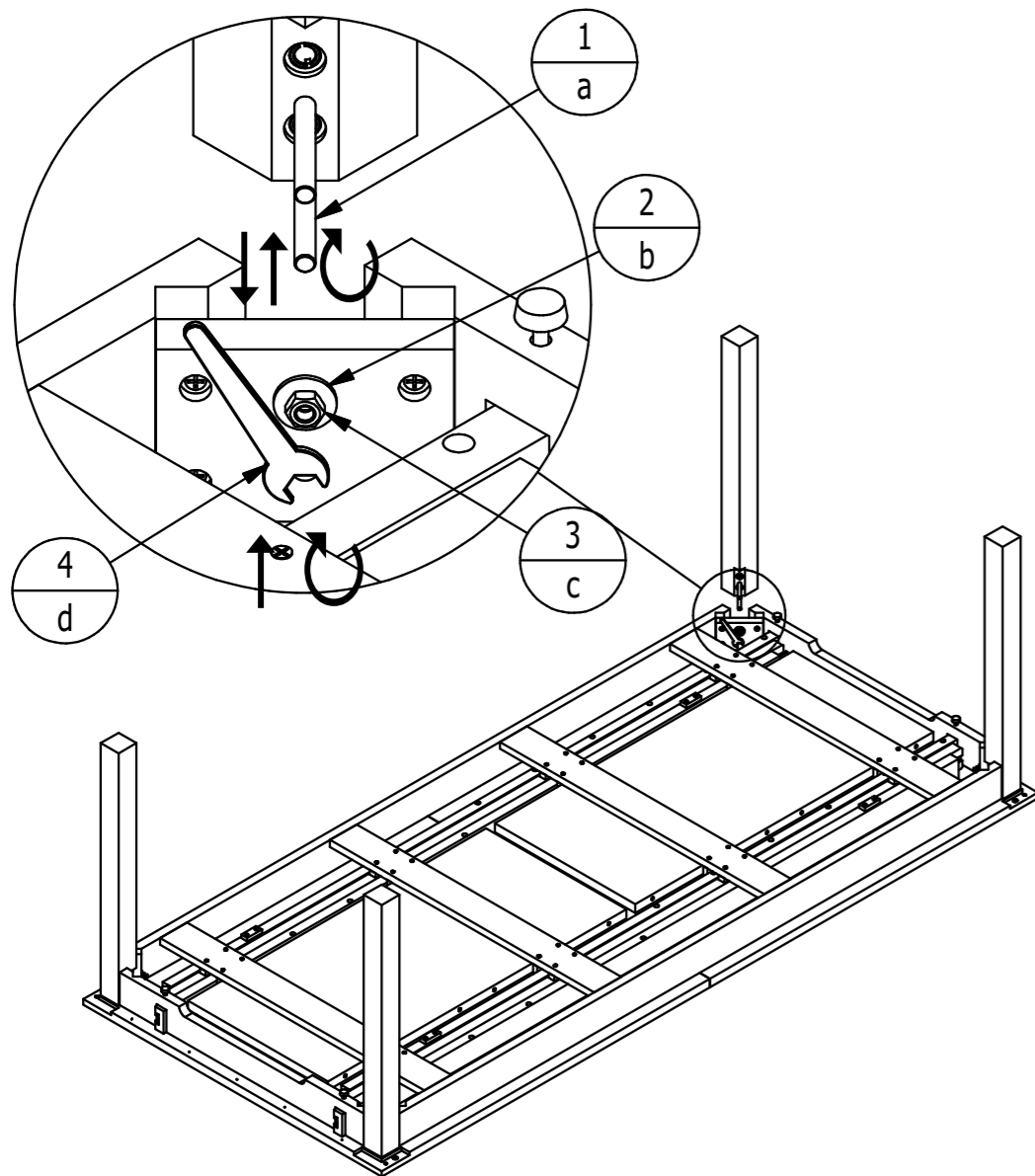


Assembly instruction



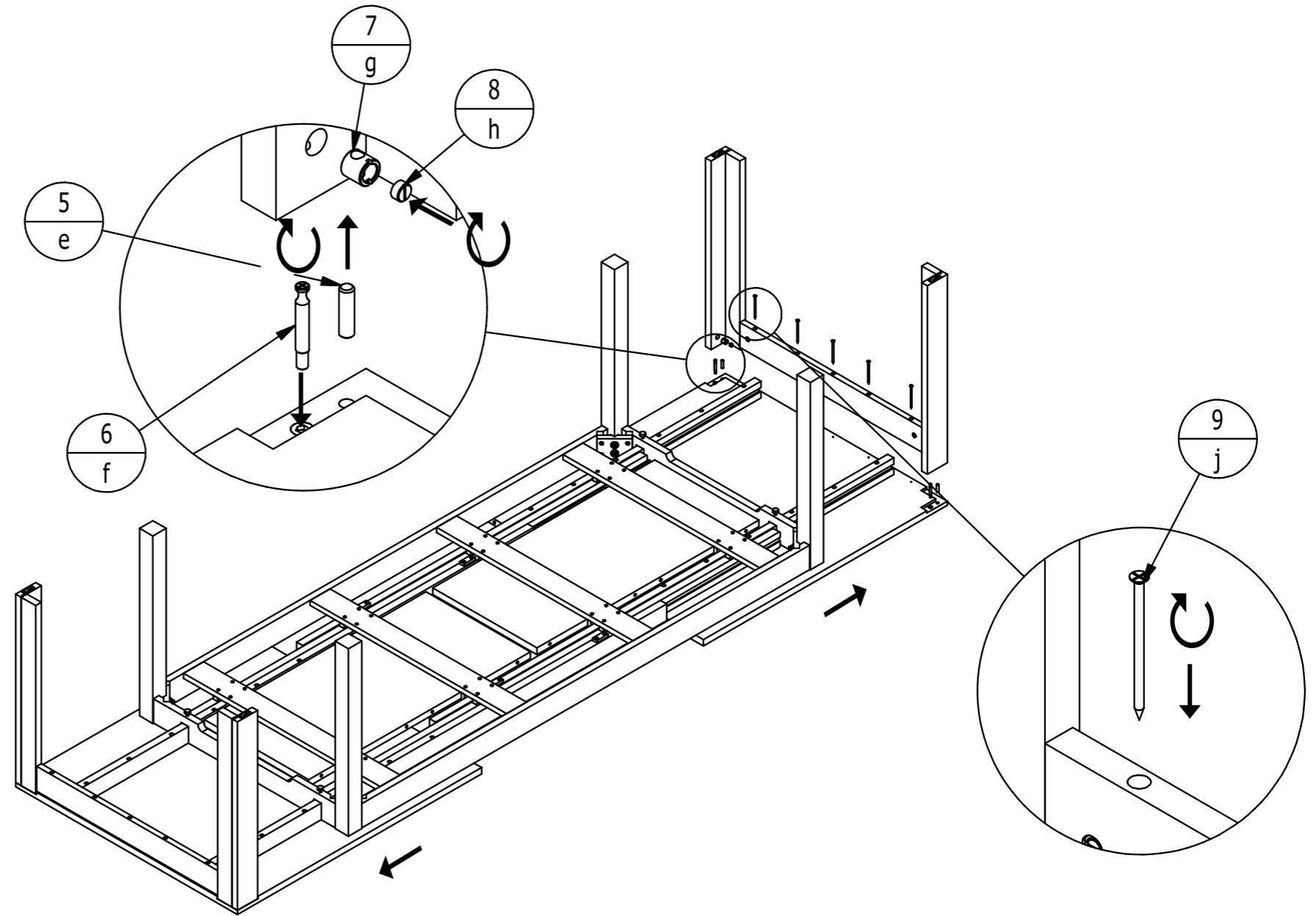
a)  x 8 M8 x60	f)  x 4
b)  x 8 DIN9021 -M8	g)  x 4
c)  x 8 DIN934 -M8	h)  x 4
d)  x 1	j)  x 10 Ø5 x90
e)  x 4 Ø8 x30	k)  x 4 M6 x40
 	 

Step 1

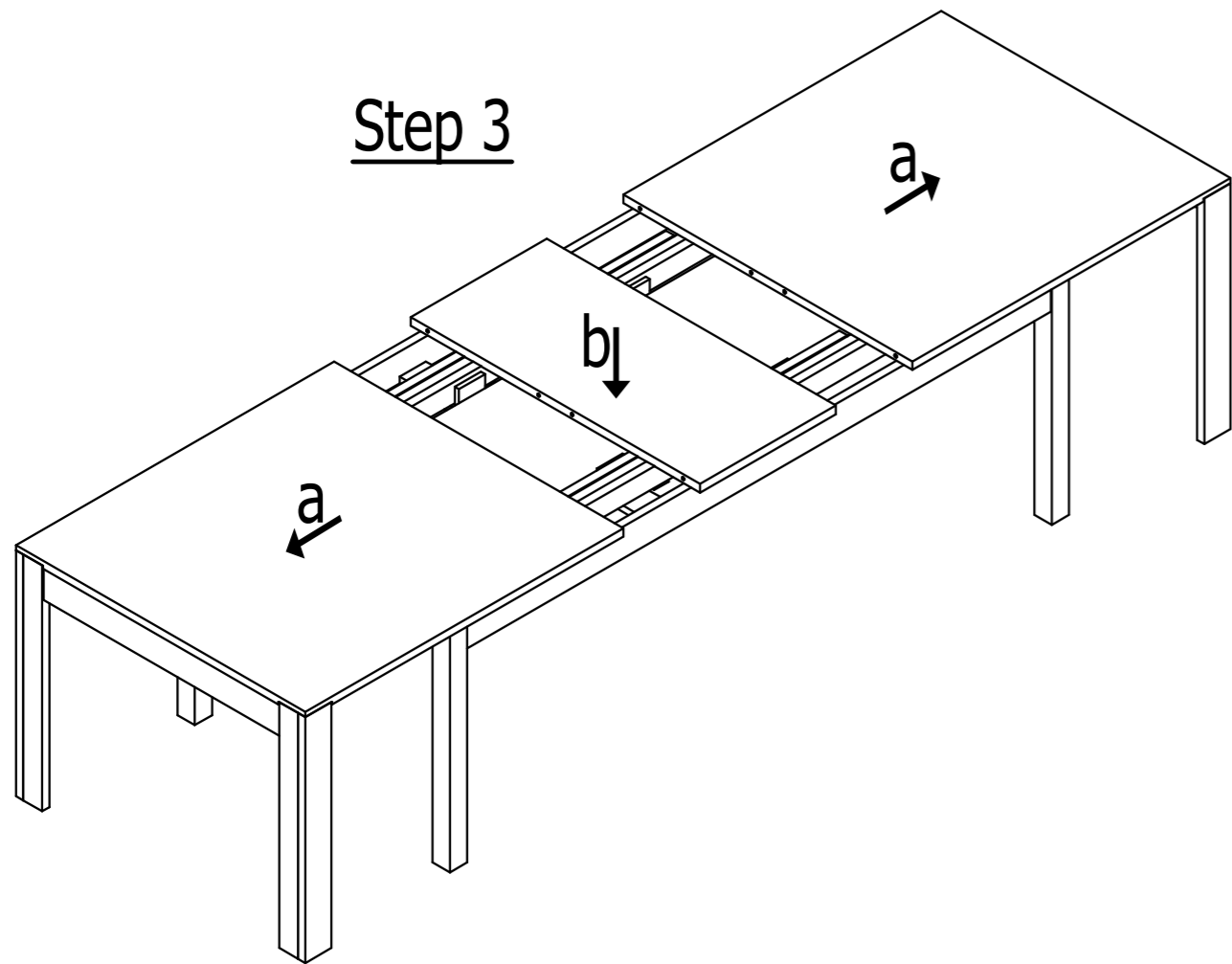


Step 2

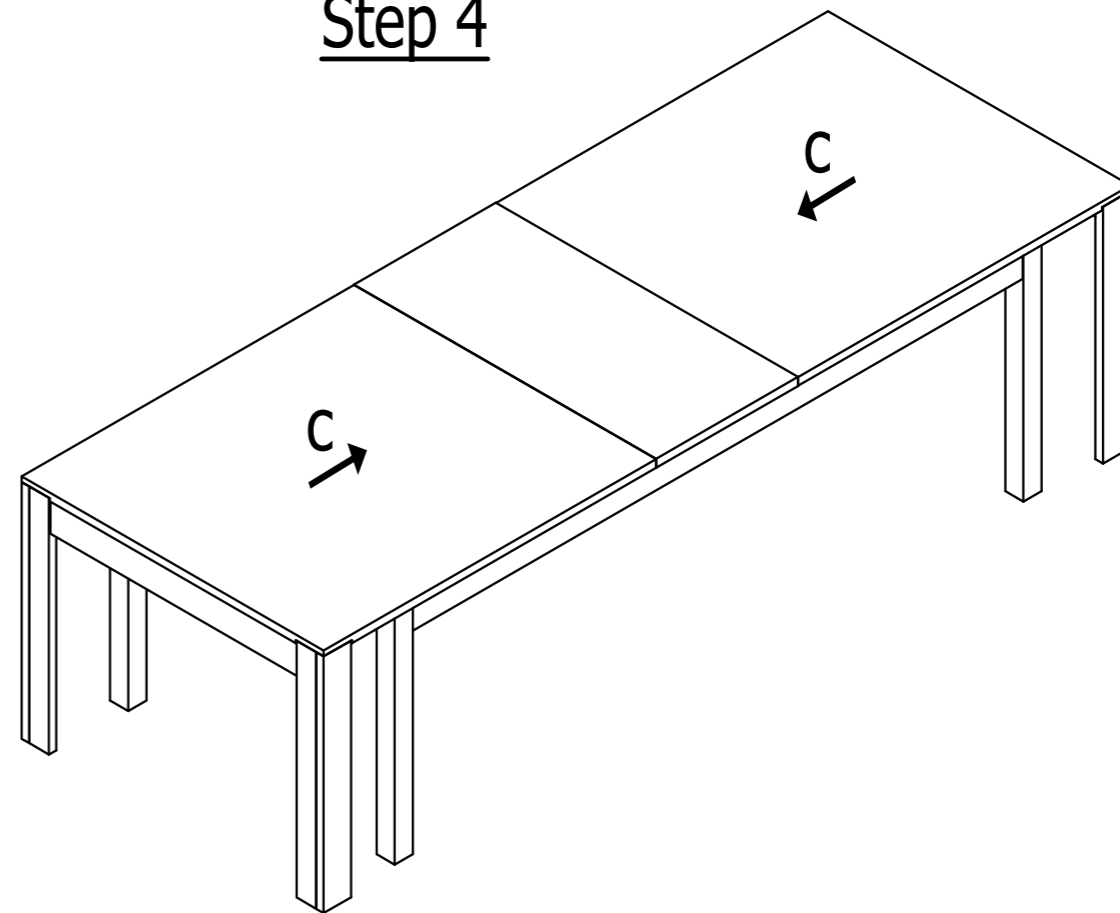
Knock dowels to the legs, not to the table top.



Step 3



Step 4



Step 5

