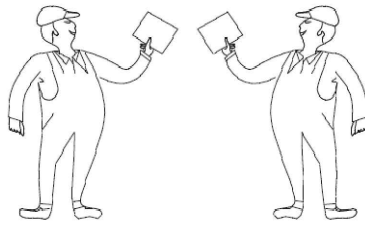

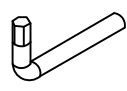

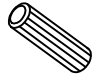
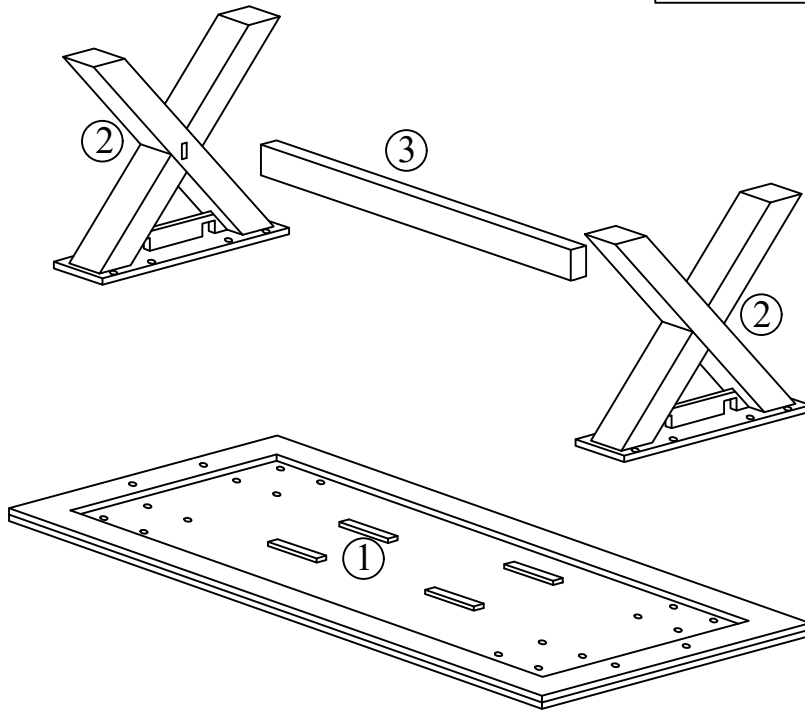


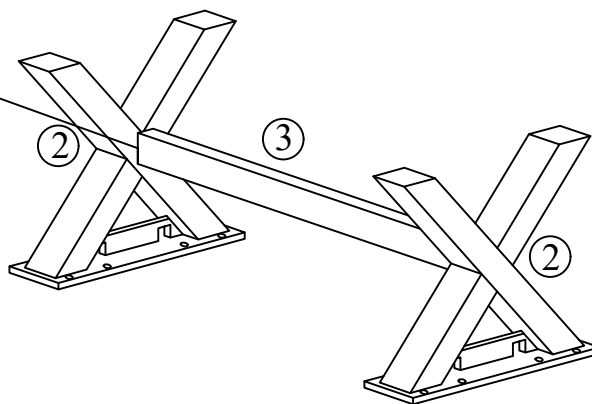
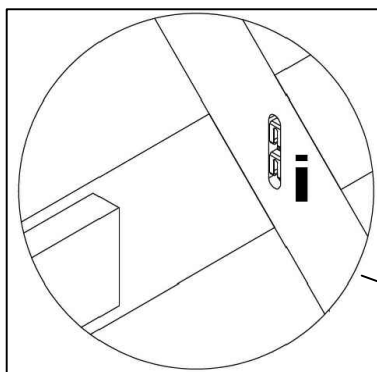
THIS UNIT CAN BE ASSEMBLED BY 2 PERSONS



| | | |
|---|--|---|
| B  M6x40 16 pcs | A  M6 1 pcs | C  16 pcs |
| D  8x30 4 pcs | | |



STEP 1

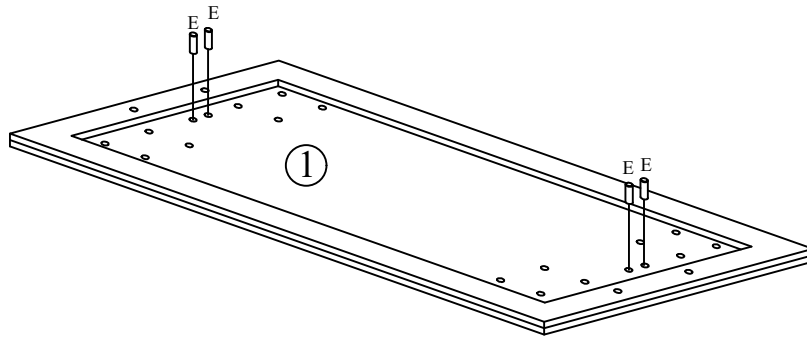


STEP 2

E

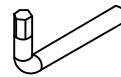


8x30
4 pcs



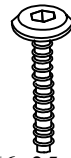
STEP 3

A



M6
1 pcs

B



M6x35
16 pcs

C



16 pcs

