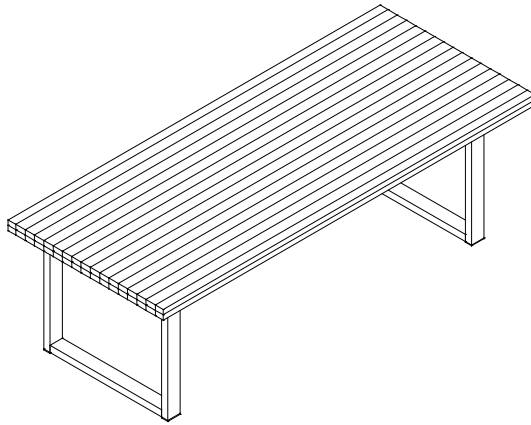


## BDH6-1A Dining table

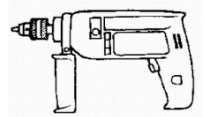
1  
Ø5x25  
16 pcs

ASSEMBLING  
INSTRUCTION



The pack with fittings and assembling  
Instruction 1 pages.— 1pcs.

### Necessary tools



- A** Table top plate – 1pcs.
- B** Metal legs – 2pcs.

1. Screw metal legs **A** to top plate. Screw in marked holes.

*Look at the picture 1*

1

### Notice!

Leg has 2 fixation positions.

