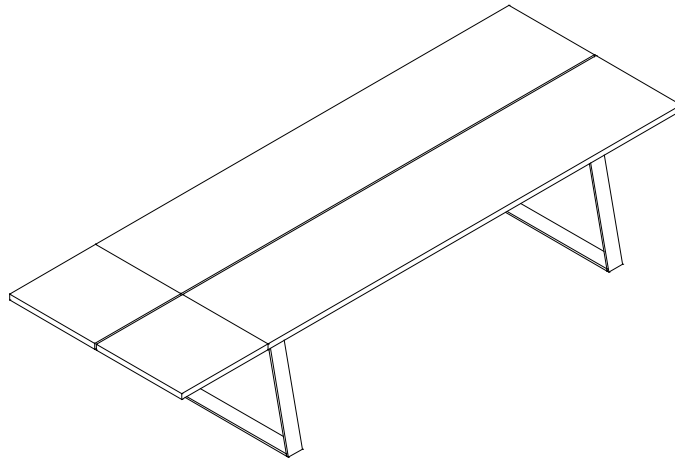


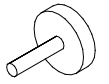
BE2 Leave

ASSEMBLING INSTRUCTION

The pack with fittings and
assembling instruction
1 pages– 1 pcs.



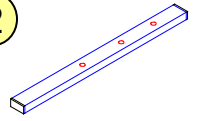
1



M8x36

6 pcs

2



Stick

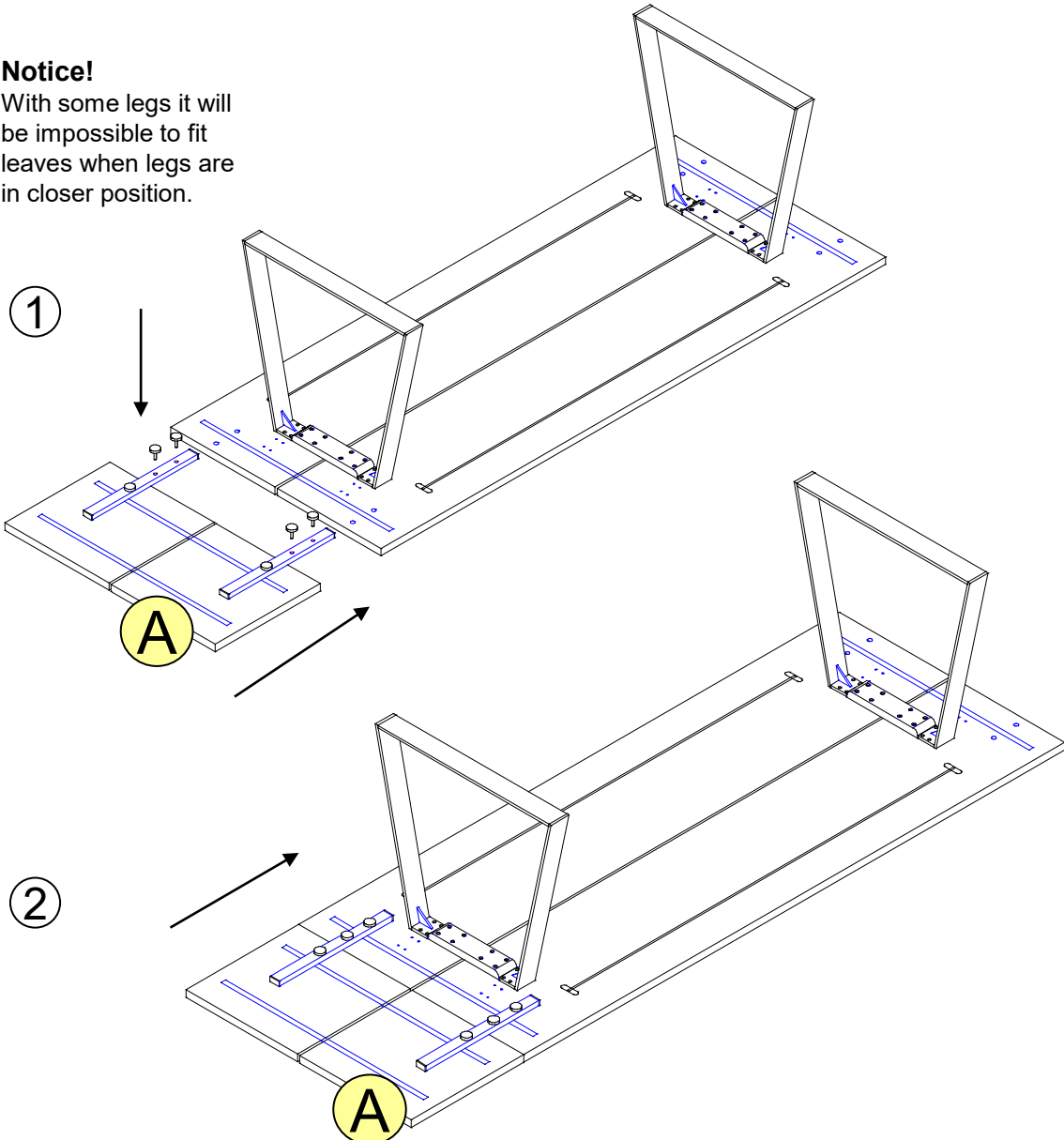
2 pcs

A Leave.

Notice!

With some legs it will
be impossible to fit
leaves when legs are
in closer position.

1



2

A