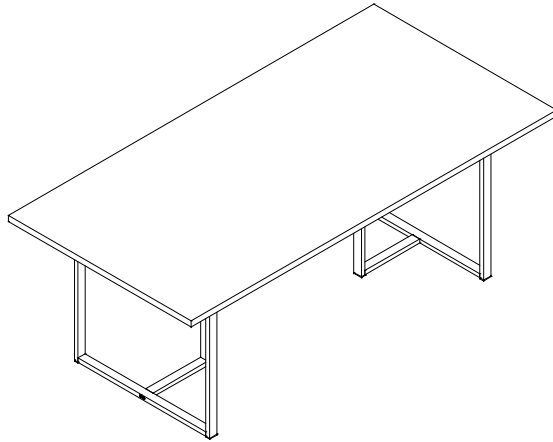


BDH 2B Dining Table

ASSEMBLING
INSTRUCTION




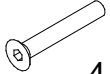
The pack with fittings and assembling
Instruction 1 pages.– 1pcs.


A Top plate - 1 pcs.

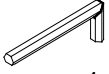
B Metal Leg - 2 pcs.

1 1.Screw metal legs **B** to top plate **A** . Screw in marked holes.
Look at the picture 1

1 
Ø5x40 8 pcs

2 
M6x60 4 pcs.

3 
Ø5x20 4 pcs

4 
1pcs

Necessary tools

