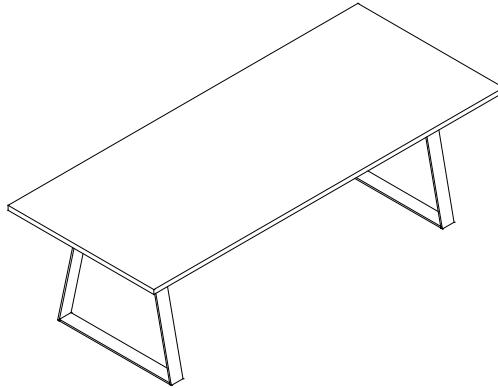


BDH 6B Dining table

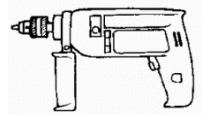
ASSEMBLING
INSTRUCTION



1
Ø5x30
16 pcs

The pack with fittings and assembling
Instruction 1 pages.— 1pcs.

Necessary tools



- A** Table top plate – 1pcs.
- B** Metal legs – 2pcs.

1. Screw metal legs **B** to top plate **A**. Screw in marked holes.

Look at the picture 1

1

Notice!

Leg has 2 fixation positions.

