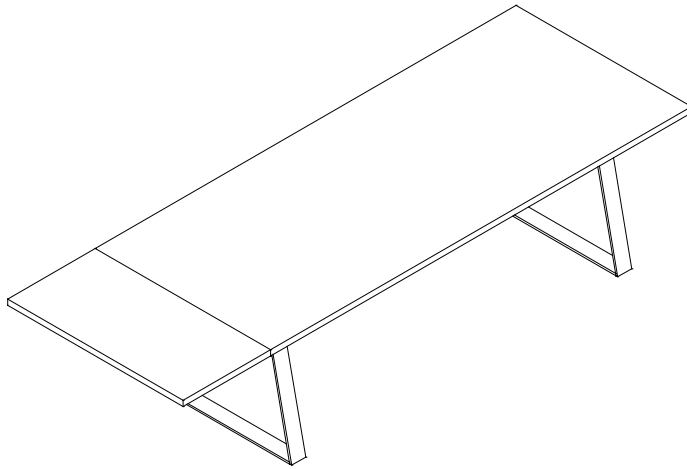


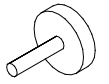
## BEH Leave

### ASSEMBLING INSTRUCTION

The pack with fittings and  
assembling instruction  
1 pages– 1 pcs.



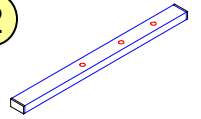
1



M8x36

6 pcs

2



Stick

2 pcs

## A Leave.

### Notice!

With some legs it will  
be impossible to fit  
leaves when legs are  
in closer position.

