

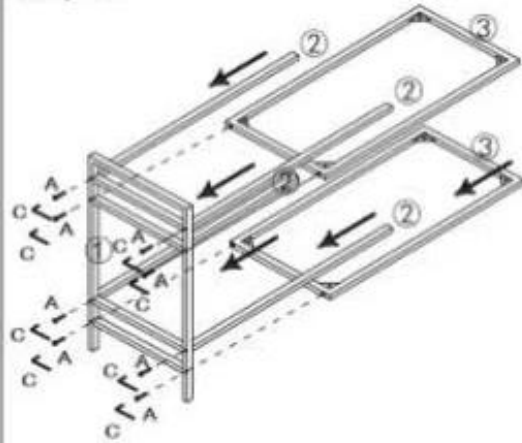
ASSEMBLE INSTYUCTION

DO NOT TIGHTEN SCREWS UNTIL COMPLETELY ASSEMBLED

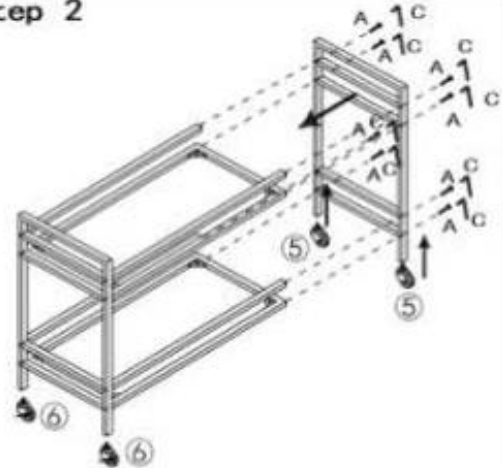
| 一、Parts list | | | | | | | | |
|--------------|---------|-----|------|---------|-----|------|---------|-----|
| DESC | Diagram | QTY | DESC | Diagram | QTY | DESC | Diagram | QTY |
| ① | | 2 | ② | | 4 | ③ | | 2 |
| ④ | | 2 | ⑤ | | 2 | ⑥ | | 2 |
| A | | 16 | B | | 8 | C | | 1 |

二、Assembly steps

Step 1



Step 2



Step 3



Step 4

