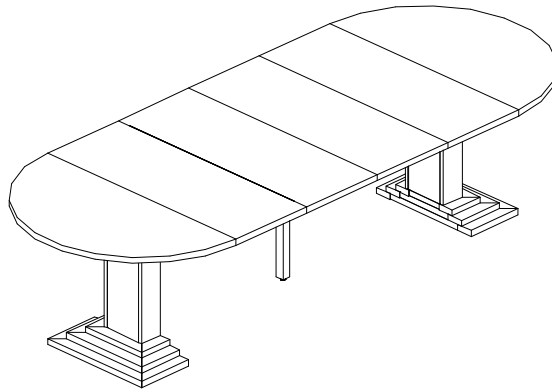


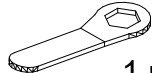
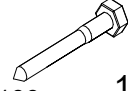
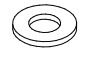
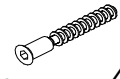
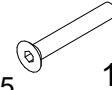
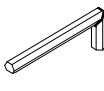
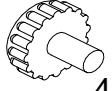
Round table SC 1106 M

ASSEMBLY MANUAL:

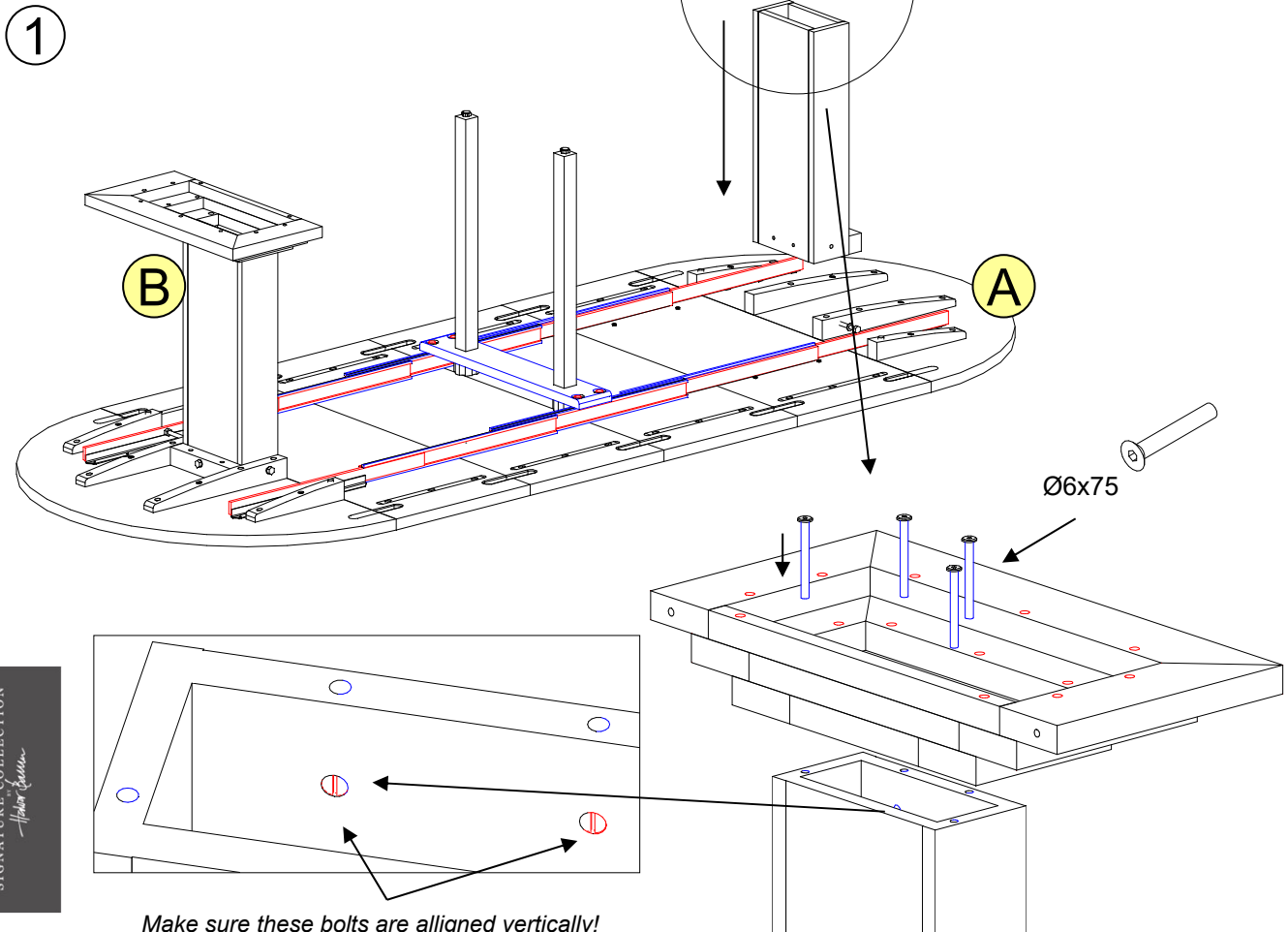
Package with screws
and the mounting
guide.



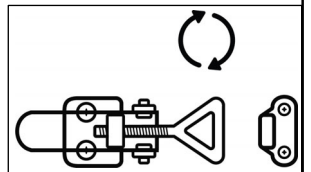
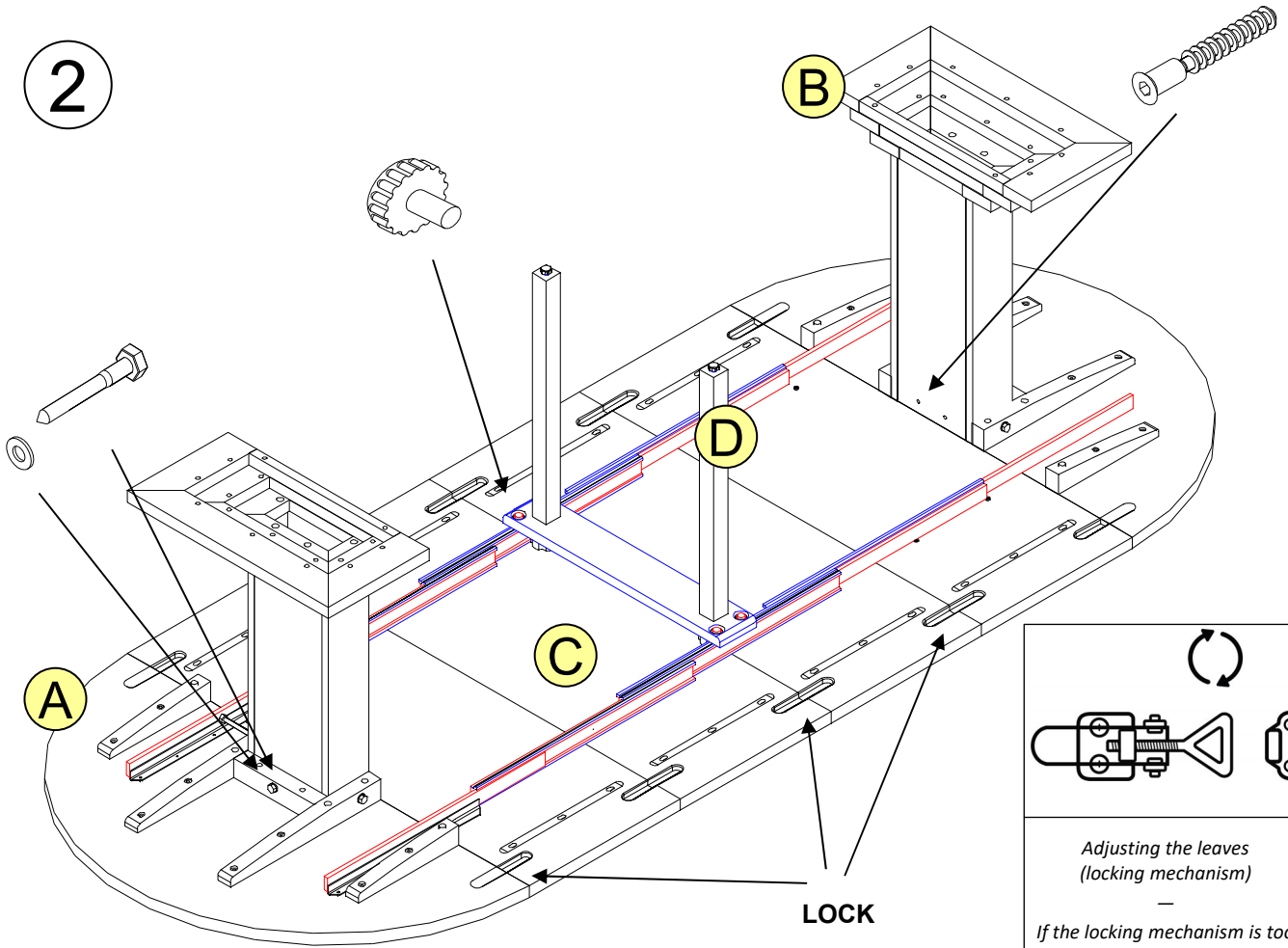
- A** Topplate - 1 pcs.
- B** Leg block - 2 pcs.
- C** Extension leaves - 4 pcs.
- D** Support leg - 2 pcs.

1		1 pcs
2		10 pcs ø10x100
3		10 pcs
4		4 pcs Ø7x50
5		14 pcs Ø6x75
6		1 pcs
7		4 pcs

1. Turn the Topplate **A** up / down.
2. Assembly Leg block as shown in picture 1.



2

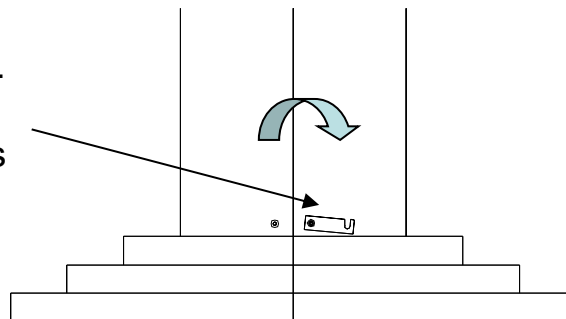


*Adjusting the leaves
(locking mechanism)*

If the locking mechanism is too tight (hard to lock the hinge) or too loose (gap between the plates), then this can be fixed by adjusting the hook.

3

Lock is screw tightened stronger for time transport. After assemble table, Please unscrew a little this screw.



Turn the furniture around