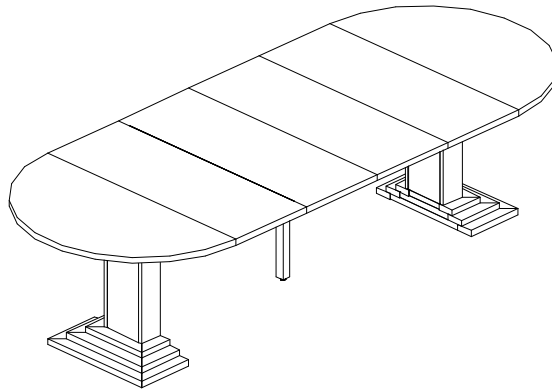


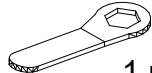


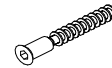
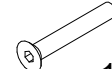

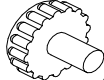
## Round table SC 1107 M

### ASSEMBLY MANUAL:

Package with screws  
and the mounting  
guide.

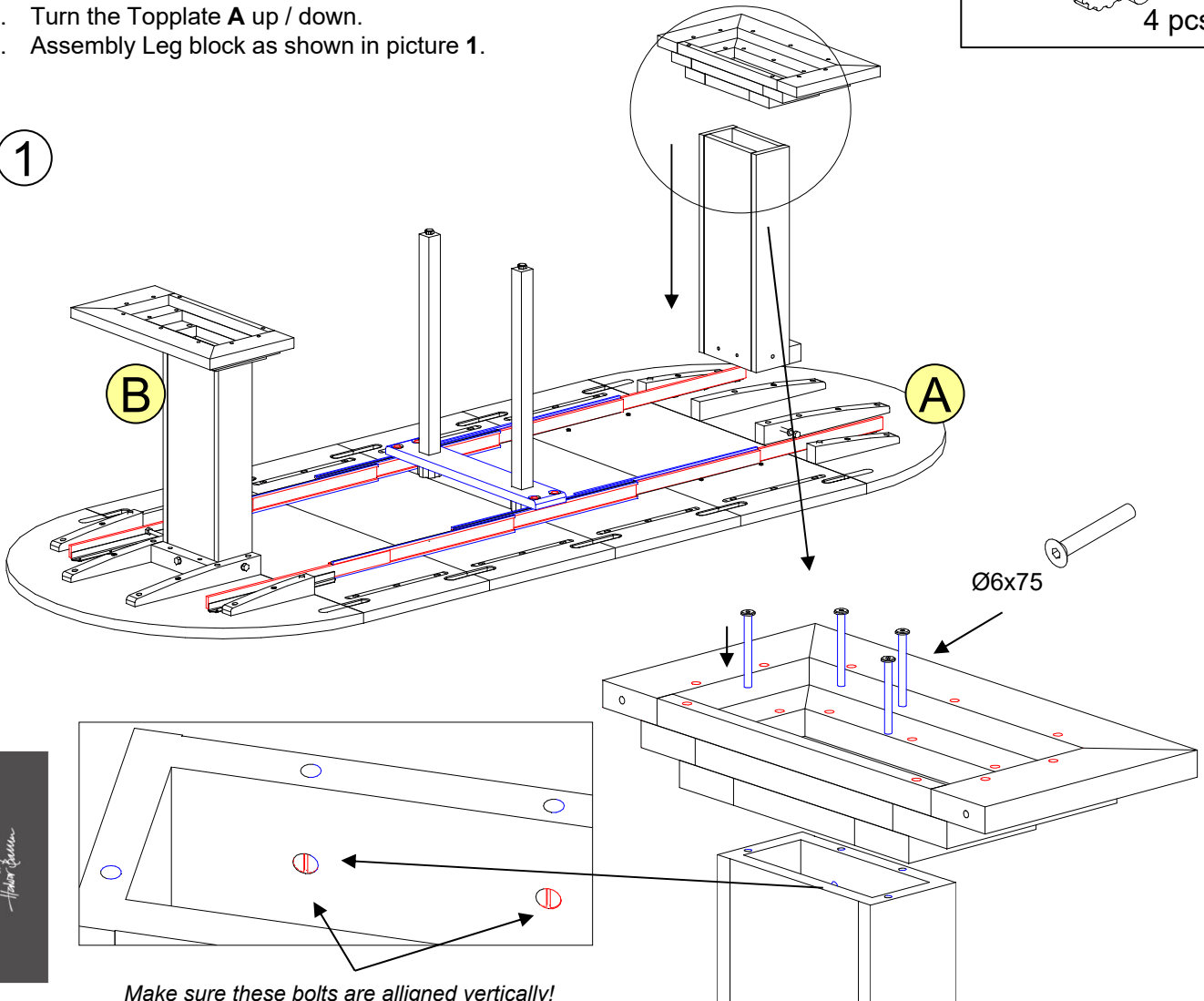


- A** Topplate - 1 pcs.
- B** Leg block - 2 pcs.
- C** Extension leaves - 4 pcs.
- D** Support leg - 2 pcs.

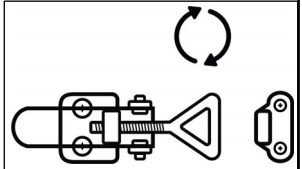
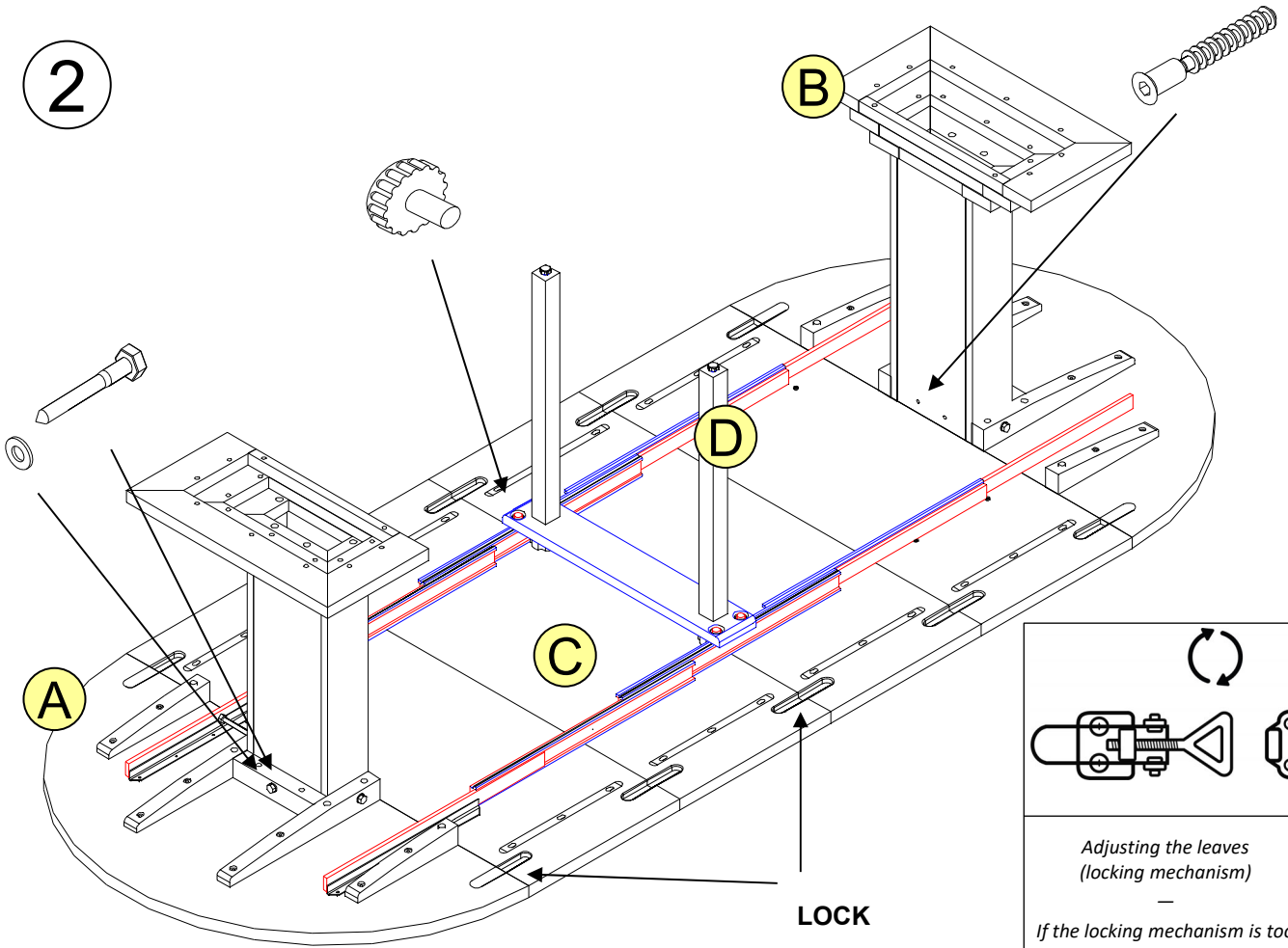
<b>1</b>		1 pcs
<b>2</b>		10 pcs ø10x100
<b>3</b>		10 pcs
<b>4</b>		4 pcs Ø7x50
<b>5</b>		14 pcs Ø6x75
<b>6</b>		1 pcs
<b>7</b>		4 pcs

1. Turn the Topplate **A** up / down.
2. Assembly Leg block as shown in picture 1.

**1**



2



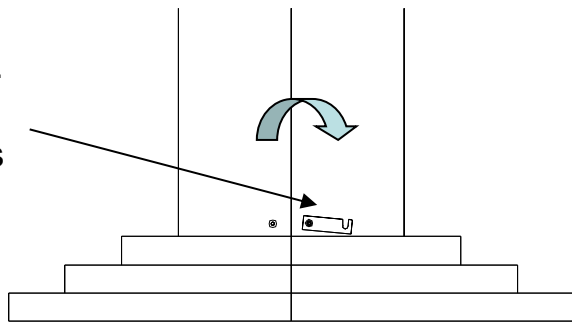
Adjusting the leaves  
(locking mechanism)

—

If the locking mechanism is too tight (hard to lock the hinge) or too loose (gap between the plates), then this can be fixed by adjusting the hook.

3

Lock is screw tightened stronger for time transport. After assemble table, Please unscrew a little this screw.



Turn the furniture around