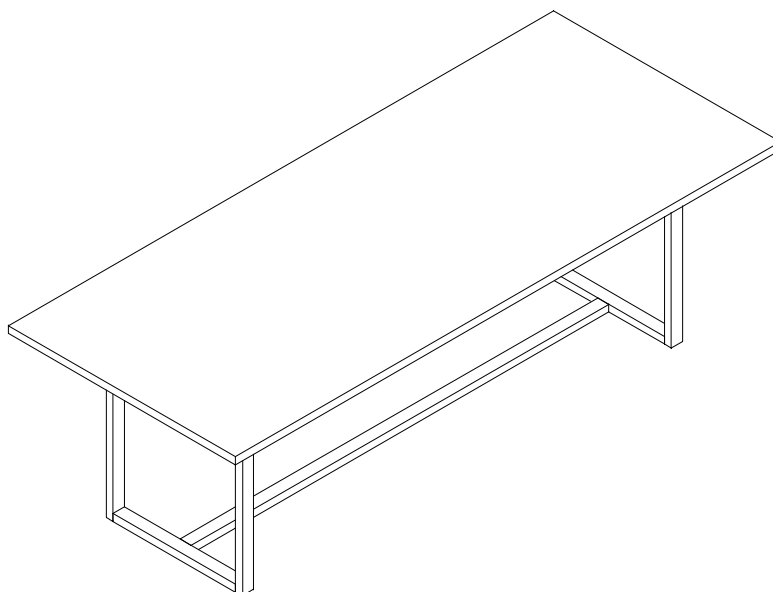
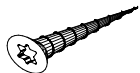
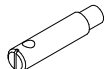
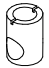

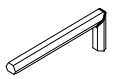


SC 1608 Dining table 200x90x75



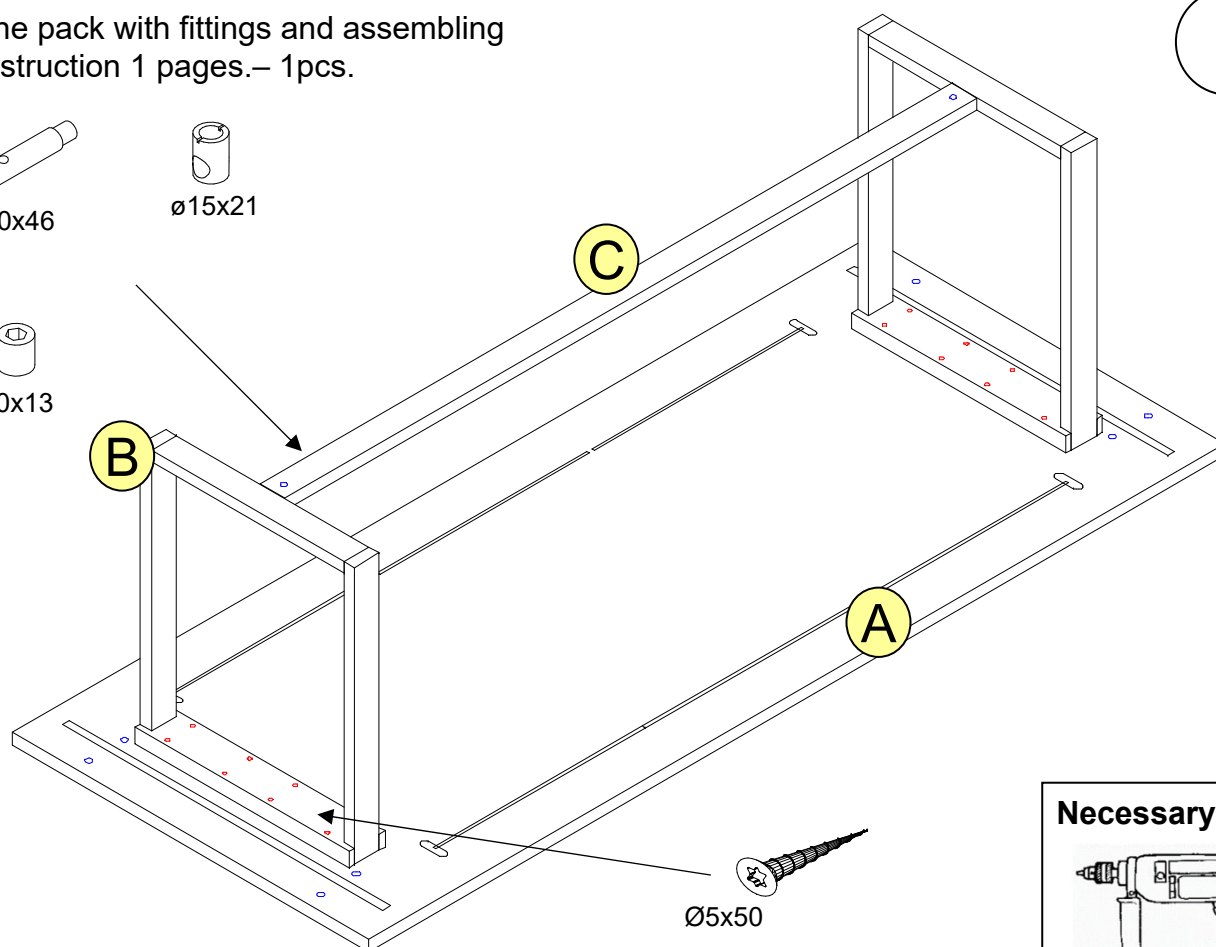
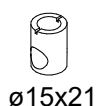
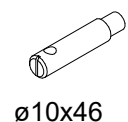
ASSEMBLING INSTRUCTION

1		Ø5x50	16 pcs
2		Ø10x46	2 pcs
3		Ø15x21	2 pcs
4		M10x13	2 pcs
5			1 pcs

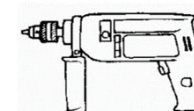
- A** Dining table top plate 2000x900x30 mm 1 pcs.
- B** Wooden legs 500x70/30x716 mm 2 pcs.
- C** Wooden bar between legs 1440x50x30 mm 1 pcs.

The pack with fittings and assembling
Instruction 1 pages.— 1pcs.

1



Necessary tools



Ø5x50