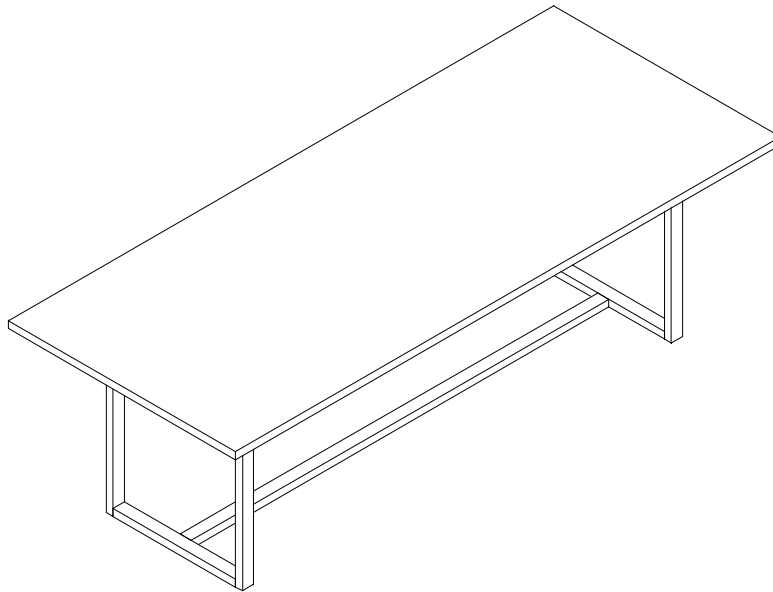
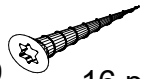
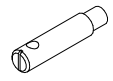
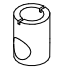
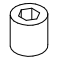
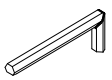


SC 1609 Dining table 220x100x75

ASSEMBLING INSTRUCTION

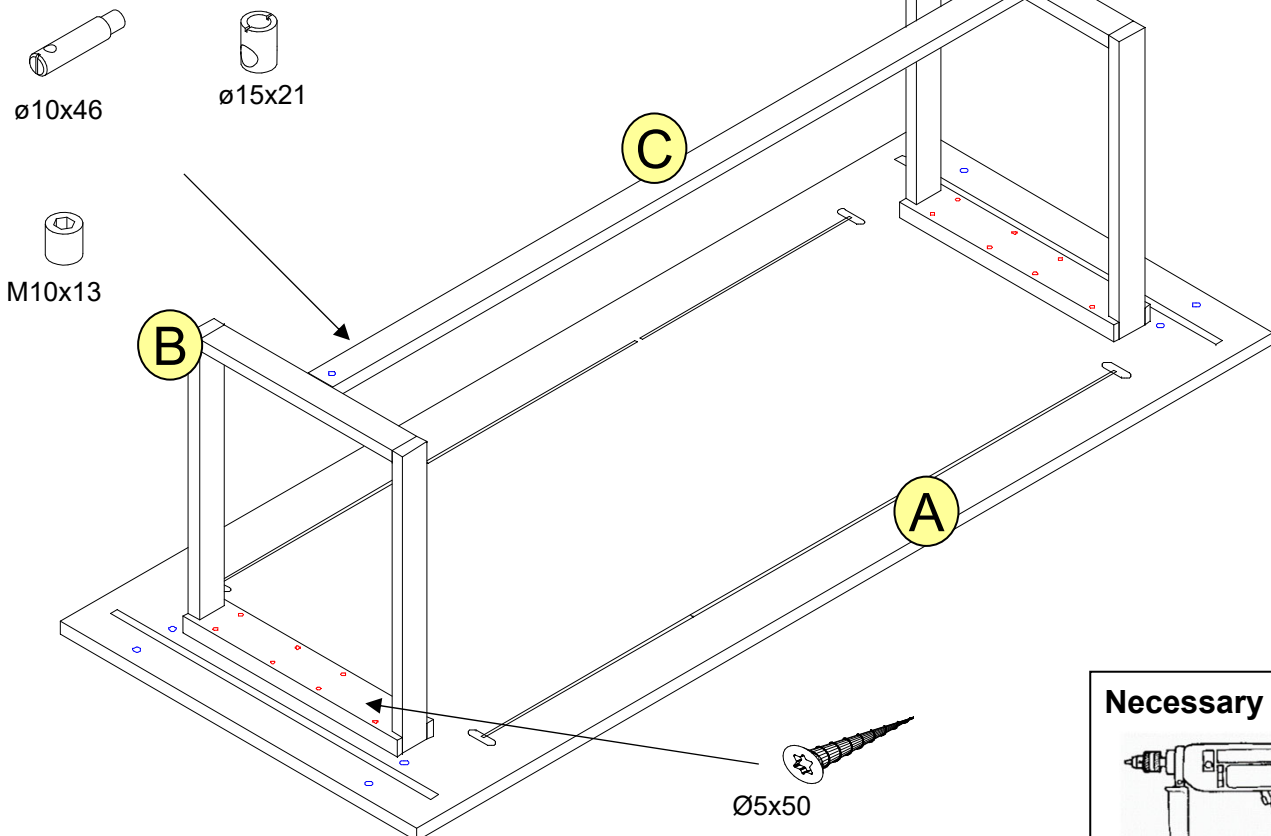


1		Ø5x50	16 pcs
2		Ø10x46	2 pcs
3		Ø15x21	2 pcs
4		M10x13	2 pcs
5			1 pcs

- A** Dining table top plate 2200x900x30 mm 1 pcs.
- B** Wooden legs 600x70/30x716 mm 2 pcs.
- C** Wooden bar between legs 1640x50x30 mm 1 pcs.

The pack with fittings and assembling
Instruction 1 pages.— 1pcs.

1



Necessary tools

